

1

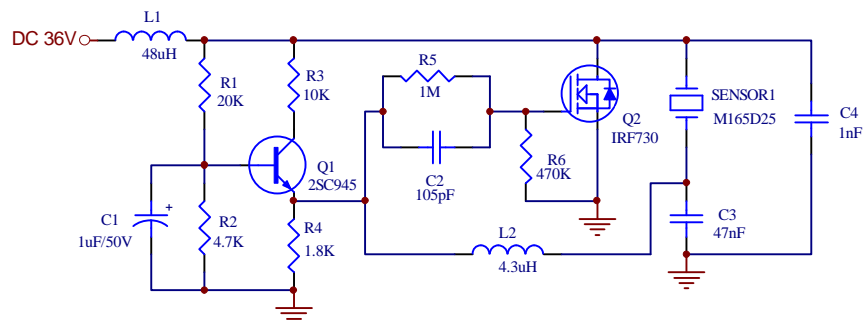
2

3

4

REV	DATE	COMMENTS
1		

Inductance Test Frequency 252KHz  
 L1=48uH Q=70  
 L2=4.3uH Q=65



Pro-Wave Electronics Corporation		
Title: M165D25 Driving Circuit		
Data: 2015-05-19	Drawing No.:	Revision: 1
File: D:\電路圖\模組產品\M165D251.sch		

( The information contained is confidential and may not be reproduced or used without written permission of Pro-Wave Electronics Corporation )

1

2

3

4