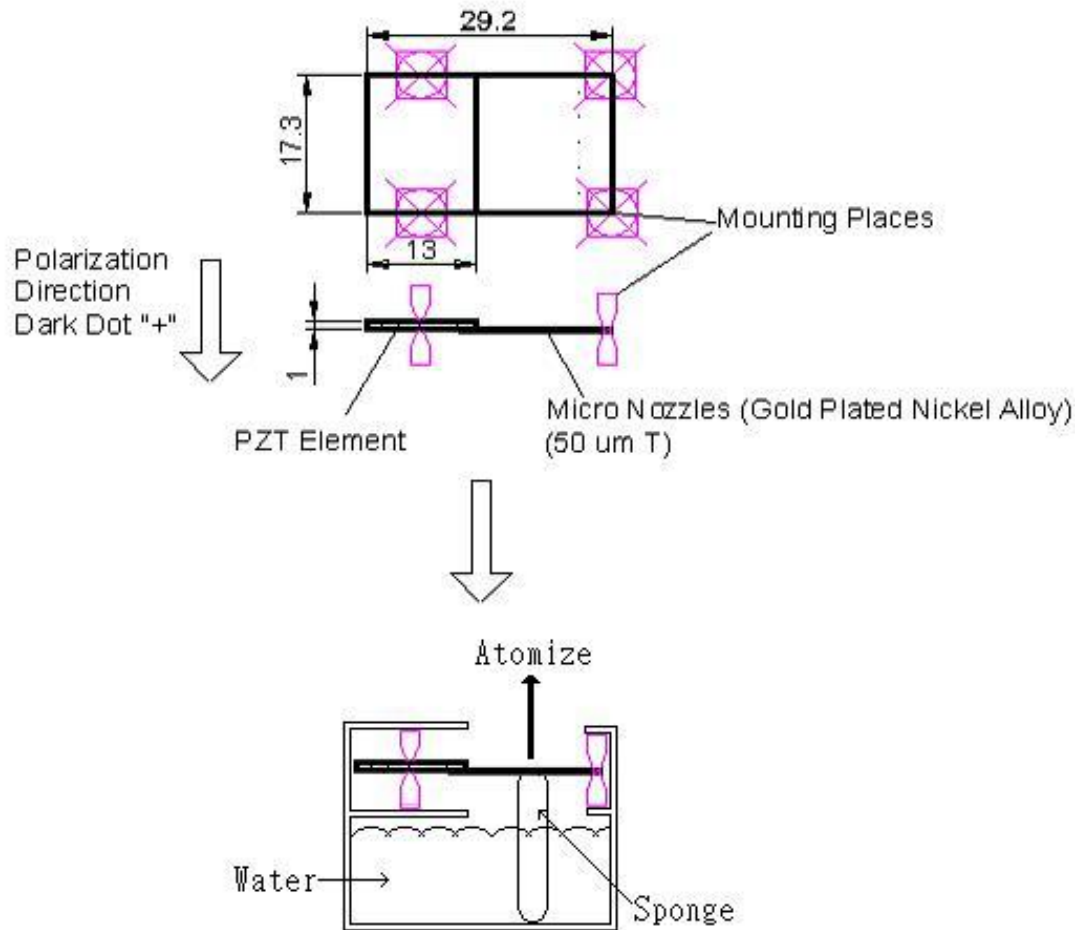


Mounting Pads (Pads material: Silicone Rubber or other elastic resins)



Driving Circuit

